

CIN:U40108CT2003SGC015820

CHHATTISGARH STATE POWER TRANSMISSION CO. LTD.

(A Government of Chhattisgarh Undertaking)(A Successor Company of C.S.E.B.)

OFFICE OF THE S.E. (S/S-O&M)CIRCLE : DANGANIYA : RAIPUR

Telephone No. 0771-2574750/Fax No. 0771-2574749,

No. 10-60/RYP/PUR/ 721

Raipur, Dt. 27/10/2020

//NOTICE INVITING TENDERS//

Sub:-N.I.T. for supply of Pad clamps for ACSR Zebra conductor for various EHV S/s under EE (S/s) Dn.-II, CSPTCL, Raipur.

Sealed tenders are invited from the eligible suppliers registered with CSPCL Raipur for supply of the following items as per the specifications given here below:-

Sl.No.	Particulars	Qty. required
1.	Pad clamps suitable for ACSR Zebra condutor (As per the drawing enclosed)	62 Nos.

GENERAL TERMS & CONDITIONS:-

Tender documents (Tender Form) can be purchased from the Office of the SE(S/s-O&M) Circle, CSPTCL, Raipur on payment of Rs. 224/- (Rs. Two hundred twenty four) only including GST @ 12% (Non-Refundable) in the form of Demand Draft/Banker's Cheque (**Payable to RAO, CSPTCL, Raipur**) on or before 18/11/2020 up to 17.00 Hrs. Postal charges worth Rs. 100 /- (Rs. One hundred) only should also be sent in advance through Demand Draft by those tenderer who desire to obtain tender document by post. **The CSPTCL shall not be held responsible for postal delay.**

The tenders should reach in this office up to 15:00 hrs. on dated 19/11/2020 along with earnest money Rs. 500/- (Rs. Five hundred) only in the form of DD/Banker's Cheque payable to **RAO, CSPTCL, Raipur**. Earnest money in other form will not be accepted. The tenders will be opened on 19/11/2020 at 15.30 hrs in presence of tenderer whosoever be present. In case holiday is declared by the Govt. on the scheduled date i.e. 19/11/2020, the last date for submission / opening of tenders shall automatically be shifted to the next working day.

No offer will be accepted without earnest money and will be rejected. Details of Demand Draft/Banker's Cheque towards earnest money deposit is to be mentioned on the top right corner of tender envelope.

The Superintending Engineer (S/S-O&M) Circle CSPTCL, Raipur reserves the right to reject any or all the tenders without assigning any reason whatsoever.

(Er.R.K.Tiwari)
Suptdg. Engineer(S/S-O&M)Circle
CSPTCL, Raipur

P.T.O.

Copy to:-

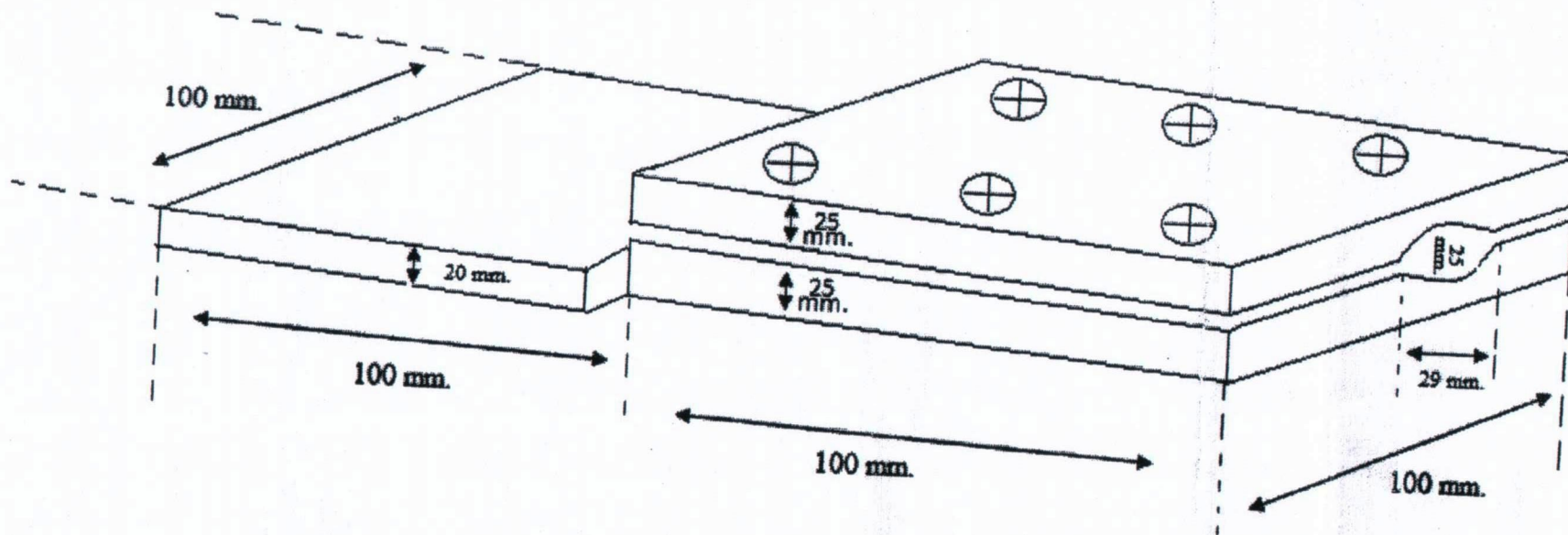
1. The Executive Engineer O/o CE(EITC) CSPDCL, Danganiya, Raipur – Please arrange to place the aforesaid NIT on *the CSPTCL's Website*.
2. The Executive Engineer (S/s) Dn.II, CSPTCL, Raipur – With reference to the requirement submitted vide letter No. 807, dtd. 15.10.2020.
3. The Cashier of this office.

✓ 4. Notice Board.

Aluminum Pad Clamp suitable for Zebra conductor with Pad size 100 X 100 mm.

Note :-

1. Spring washer should not be used.
2. 10/75 mm. size galvanised standard nut bolts should be used TVS/TATA make.



EE (S/S) Dn.-II
CSPTCL, Raipur